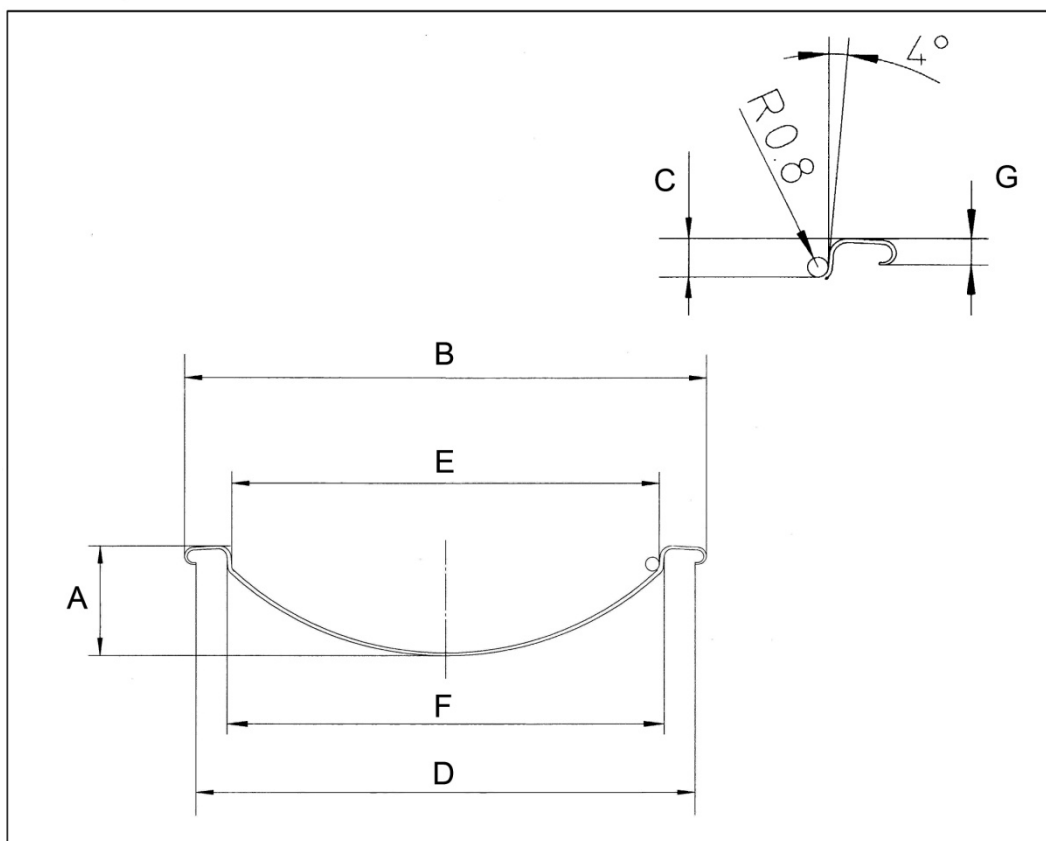


Specifications Aerosol Bottoms, Diameter 54 mm



Specifications	18 bar		15 bar		12 bar	
	SIZE	TOLL.	SIZE	TOLL.	SIZE	TOLL.
A	13,00	±0,25	13,00	±0,25	13,00	±0,25
B	64,45	±0,15	64,45	±0,15	64,45	±0,15
C	3,10	±0,15	3,10	±0,15	3,10	±0,15
D	62,22	Min.	62,15	Min.	62,15	Min.
E	54,17		54,17		54,17	
F	55,04		54,97			
G	2,11	±0,15	2,11	±0,15	2,11	±0,15
THICKNESS	0.31		0.29		0.28	
HARDNESS	TH460CA		TH460CA		TH460CA	

All units are to be understood in millimeters.